

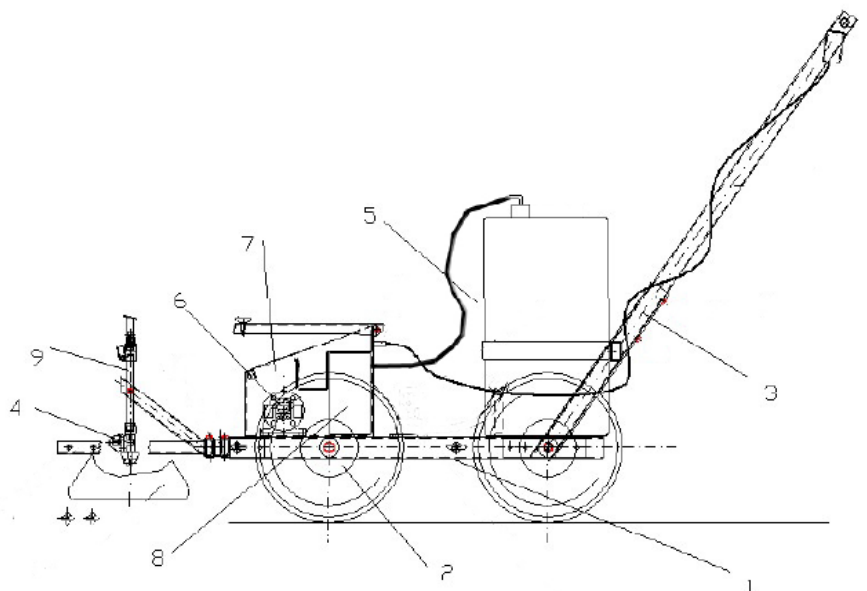
NewPro EasyLiner

Instruction Manual



Technical Manual

1. Chassis
2. Wheels and tires
3. Handle-support
4. Spraying system
5. Spraying agent supply system
6. Pump system
7. Battery case
8. Elektric/switches/cables
9. Nozzle system
10. Splashguard



Handling

Setting the Line Width

Change the line width by either changing the height of the nozzle set or change the distance between the splashguards, their position relative to each other.

Nozzle Adjustment

The device has a single and a double jet nozzle. This ensures an even and spotless spray pattern.

Positoning of the Nozzle

Put the nozzle holder into a convenient position by moving the nozzle holder directly. It can be moved to the left as well as to the right. Turn the sliding device for marking sidewise of the device.

